

Standard Flashings Order Form



Customer Name:

Job Reference:

IRL s/o Number:

Irish Rollforming Ltd.
 Bweenglacht Bweeng, Mallow, Co. Cork, tel: 021-7333987
 www.irishrollforming.ie email: info@irishrollforming.ie

Order Date:

Required Date:

Page ___ of ___

Material:

Colourclad:

PVC: 0.5mm 0.7mm

Agri-Spec: **Galv:**

Colour:

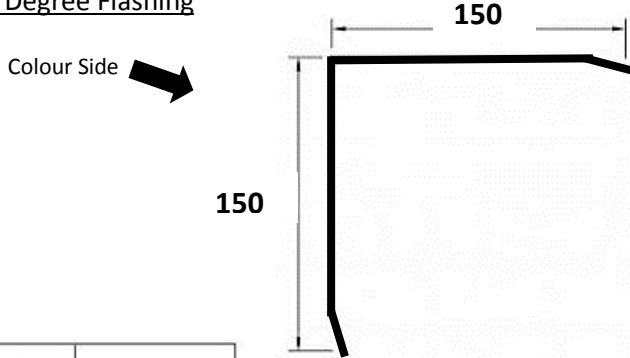
Colourclad: Juniper Green Slate Grey Brown Black

PVC: Please specify colour: _____

Agri-Spec: Juniper Green Slate Grey

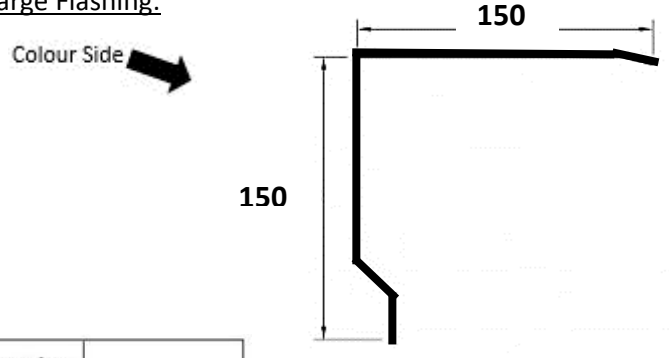
- All standard flashings are made in 3.0 Metre lengths•
- Colour-side is indicated on all drawings by an arrow•

90° Degree Flashing



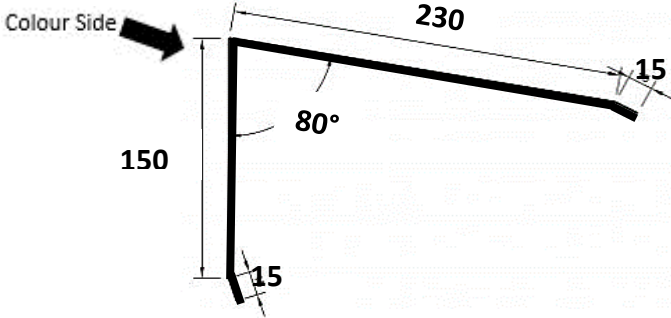
Quantity:

Barge Flashing:



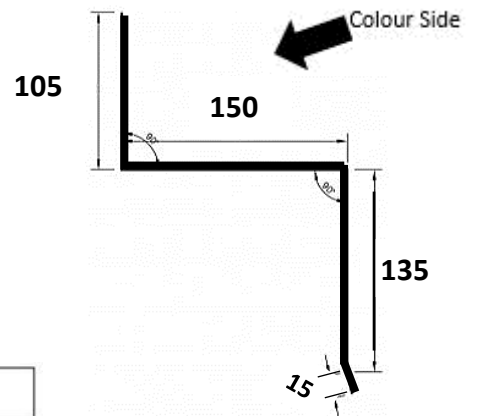
Quantity:

Timber Flashing:



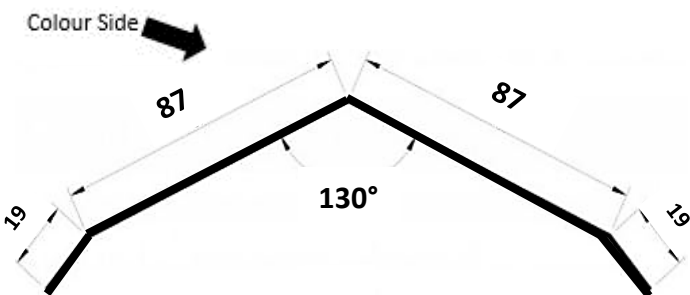
Quantity:

Door Flashing:



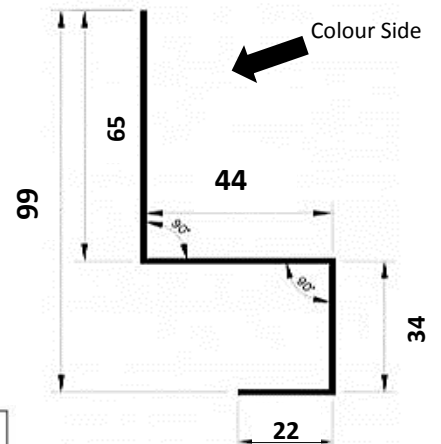
Quantity:

Ridge Flashing:



Quantity:

Drip Rail Flashing:



Quantity: